



Wire Wound Chip Ceramic Inductors



PCW0805 Series

Scope:

This specification applies to Wire Wound Ceramic Chip Inductors.



Features:

1. Minature size, suitable for SMT.
2. Using terminal electrode structure to restrain the.
3. Parasitic component effect quite caused by lead.
4. Execellent in solderability and heat resistance.

Application :

1. Modems, Mobile Radios.
2. Cordless Telephones.
3. Global Positioning Systems.
4. Telecommunications Systems.

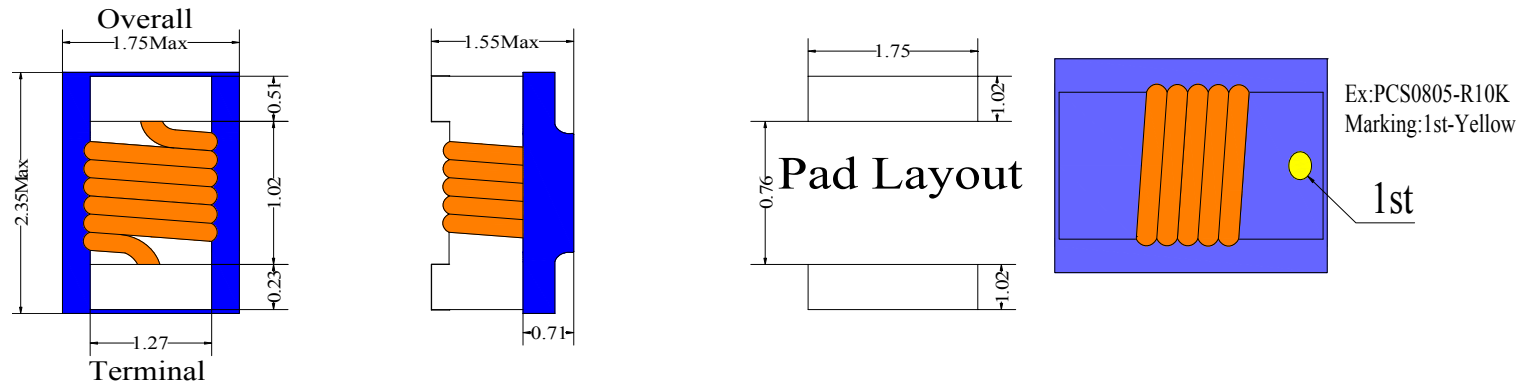
Rating:

1. Operating Temperature: $-40^{\circ}\text{C} \sim 125^{\circ}\text{C}$ (Including self - temperature rise)
2. Storage Temperature: $20^{\circ}\text{C} \sim 25^{\circ}\text{C}$ R.H.65% (In Tape & Reel Condition)

Standard Testing Condition:

	Unless otherwise specified	In case of doubt
Temperature	Ordinary Temperature(15 to 35°C)	20 to 30°C
Humidity	Ordinary Humidity(25 to 85% RH)	50 to 80 %RH

Dimension:





Wire Wound Chip Ceramic Inductors



PCW0805 Series

Electrical Specifications:

Part No.	Inductance	L/Q Test Freq.	Q	SRF	RDC	Irms	Tolerance	Color Code 1st
	(nH)	(MHz)	Min.	(MHz)Min.	(Ω)Max.	(mA)Max.		
PCW0805-2N7K	2.7	250/1500	50	7900	0.06	800	K,J,G,B	YEL
PCW0805-2N8K	2.8	250/1500	80	7900	0.06	800	K,J,G	GRY
PCW0805-3N0K	3.0	250/1500	65	7900	0.06	800	K,J,G	WHT
PCW0805-3N3K	3.3	250/1500	50	7900	0.08	600	K,J,G,B	BLK
PCW0805-5N6K	5.6	250/1000	65	5500	0.08	600	K,J,G	ORN
PCW0805-6N8K	6.8	250/1000	50	5500	0.11	600	K,J,G	BRN
PCW0805-7N5K	7.5	250/1000	50	4500	0.14	600	K,J,G	GRN
PCW0805-8N2K	8.2	250/1000	50	4700	0.12	600	K,J,G	RED
PCW0805-10NK	10	250/500	60	4200	0.1	600	K,J,G	BLU
PCW0805-12NK	12	250/500	50	4000	0.15	600	K,J,G	ORN
PCW0805-15NK	15	250/500	50	3400	0.17	600	K,J,G	YEL
PCW0805-18NK	18	250/500	50	3300	0.2	600	K,J,G	GRN
PCW0805-22NK	22	250/500	55	2600	0.22	500	K,J,G	BLU
PCW0805-24NK	24	250/500	50	2000	0.22	500	K,J,G	GRY
PCW0805-27NK	27	250/500	55	2500	0.25	500	K,J,G	VIO
PCW0805-33NK	33	250/500	60	2050	0.27	500	K,J,G	GRY
PCW0805-36NK	36	250/500	55	1700	0.27	500	K,J,G	ORN
PCW0805-39NK	39	250/500	60	2000	0.29	500	K,J,G	WHT
PCW0805-43NK	43	200/500	60	1650	0.34	500	K,J,G	YEL
PCW0805-47NK	47	200/500	60	1650	0.31	500	K,J,G	BLK
PCW0805-56NK	56	200/500	60	1550	0.34	500	K,J,G	BRN
PCW0805-68NK	68	200/500	60	1450	0.38	500	K,J,G	RED
PCW0805-82NK	82	150/500	65	1300	0.42	400	K,J,G	ORN
PCW0805-91NK	91	150/500	65	1200	0.48	400	K,J,G	BLK
PCW0805-R10K	100	150/500	65	1200	0.46	400	K,J,G	YEL
PCW0805-R11K	110	150/250	50	1000	0.48	400	K,J,G	BRN
PCW0805-R12K	120	150/250	50	1100	0.51	400	K,J,G	GRN
PCW0805-R15K	150	100/250	50	920	0.56	400	K,J,G	BLU
PCW0805-R16K	180	100/250	50	870	0.64	400	K,J,G	VIO
PCW0805-R20K	200	100/250	50	860	0.68	400	K,J,G	RED
PCW0805-R22K	220	100/250	50	850	0.7	400	K,J,G	GRY
PCW0805-R24K	240	100/250	44	690	1	350	K,J,G	RED
PCW0805-R25K	250	100/250	45	660	1.2	350	K,J,G	YEL
PCW0805-R27K	270	100/250	48	650	1	350	K,J,G	WHT



Wire Wound Chip Ceramic Inductors



PCW0805 Series

Electrical Specifications:

Part No.	Inductance	L/Q Test Freq.	Q	SRF	RDC	Irms	Tolerance	Color Code 1st
	(nH)	(MHz)	Min.	(MHz)Min.	(Ω)Max.	(mA)Max.		
PCW0805-R30K	300	100/250	25	450	1.4	310	K,J,G	ORN
PCW0805-R33K	330	100/250	48	600	1.4	310	K,J,G	BLK
PCW0805-R39K	390	100/250	48	560	1.5	290	K,J,G	BRN
PCW0805-R47K	470	50/100	33	450	1.76	250	K,J,G	VIO
PCW0805-R51K	510	25/50	23	340	1.9	230	K,J,G	GRY
PCW0805-R56K	560	25/50	23	340	1.9	230	K,J,G	ORN
PCW0805-R62K	620	25/50	23	220	2.2	210	K,J,G	YEL
PCW0805-R68K	680	25/50	23	188	2.2	190	K,J,G	GRN
PCW0805-R82K	820	25/50	23	215	2.35	180	K,J,G	BLU
PCW0805-1R0K	1000	25/50	20	100	2.5	170	K,J,G	GRY
PCW0805-1R2K	1200	7.9/25	18	100	2.5	170	K,J	WHT
PCW0805-1R8K	1800	7.9/7.9	16	80	2.5	170	K,J,G	ORN
PCW0805-3R3K	3300	7.9/7.9	15	40	4.4	90	K,J,G	RED
PCW0805-4R7K	4700	7.9/7.9	15	40	6.4	90	K,J,G	YEL

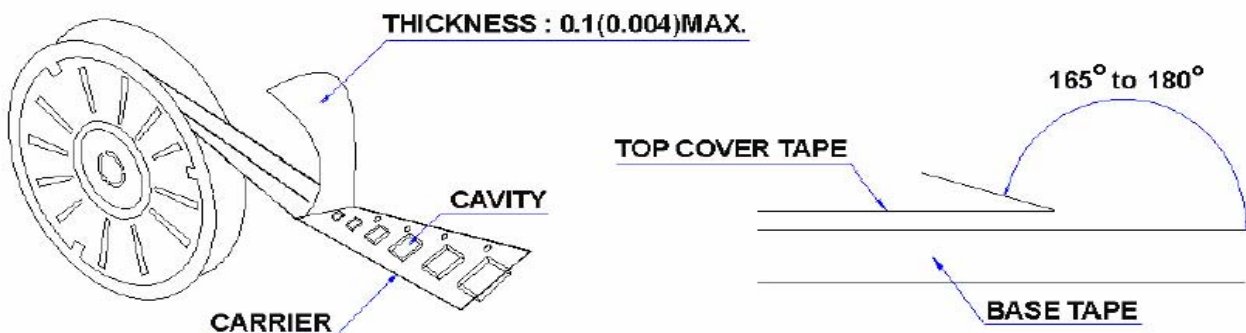
NOTE: G=±2% / H=±3% / J=±5% / K=±10%

1. Operating temperature range, $-40^{\circ}\text{C} \sim 125^{\circ}\text{C}$ (Including self - temperature rise).
2. Irms for a 15°C temperature rise from 25°C ambient.
3. L/Q Test OSC @200mV.

Packaging:

1. Packaging -Cover Tape

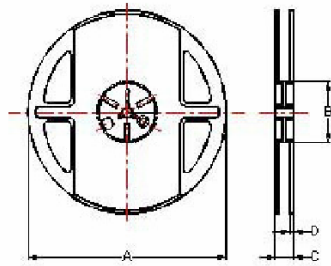
The force for tearing off cover tape is 10 to 100 grams in the arrow direction



2. Packaging Quantity

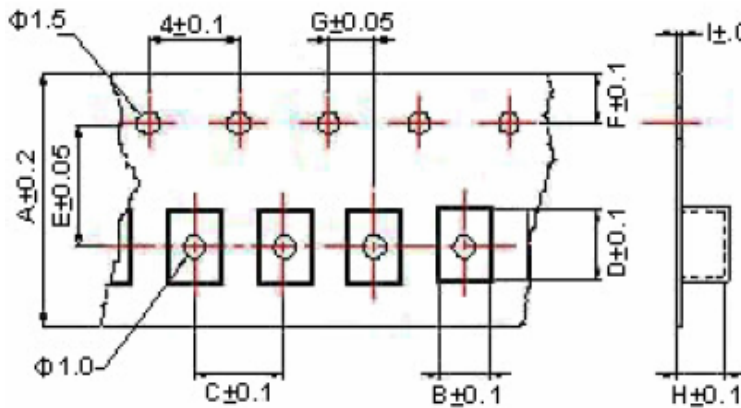
Type	Pcs/Reel
PSW0805	2000

3. Reel Dimensions



Type	A	B	C	D
PSW0805	178	60	12	1.5

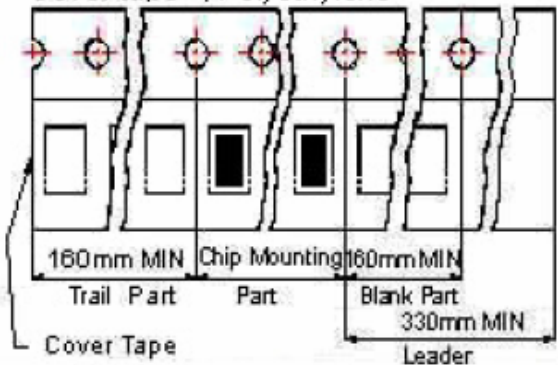
4. Tape Dimensions in mm



Tape Material

Carrier tape : Polycarbonate

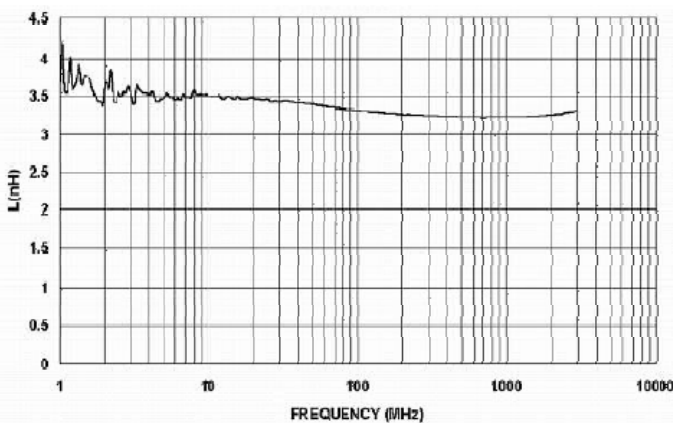
Cover tape : Polyethylene



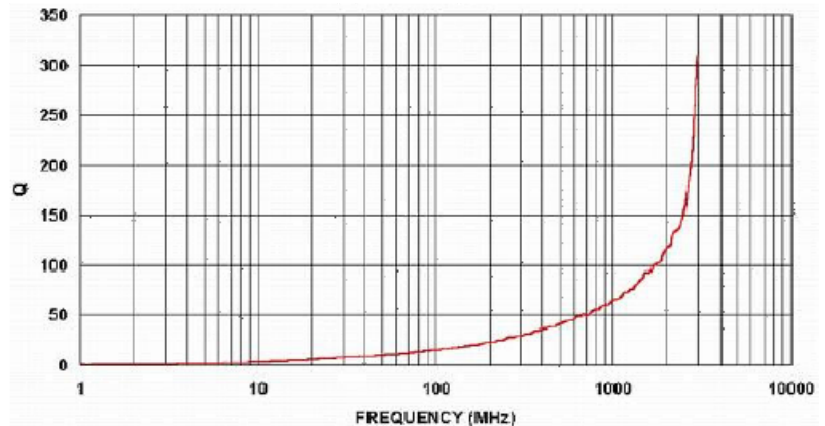
Type	A	B	C	D	E	F	G	H	I
PSW0805	8	1.85	4	2.45	3.5	1.75	2	1.5	0.23

Graph:

PSW0805-3N3J



PSW0805-3N3J



Note:

1. Please make sure that your product has been evaluated and confirmed against your specifications when our product is mounted to your product.
2. Do not knock nor drop.
3. All the items and parameters in this product specification have been prescribed on the premise that our product is between you and us. You are requested not to use our product deviating from such agreement.
4. Please keep the distance between transformer/coil and other components (refer to the standard IEC 950)
5. The moisture sensitivity level (MSL) of products is classified as level 1.